



Fire protection systems

EI120(ho, ve, i↔o)S

Fire dampers INLAP and INLAP-ST

1139-CPR-1046/12 certificate
of constancy of performance



www.airfiretech.at

Fire protection sealing tape BFBL



BFBL fire protection sealing tape for insulated, nonflammable ventilation ducts (spiral ducts) in combination with AIR FIRE TECH fire dampers and fire damper air vents. Tested as per ÖNORM EN 1366-2, OIB Usage Guideline OIB-095.4-001/06-005, classified as per ÖNORM EN 13501-2 and approved as per ÖNORM EN 15650 (certificate of constancy of performance 1139-CPR-1046/12).

For sealing the annular gap that appears in case of fire between the nonflammable ventilation duct and the separating component with insulation installed. The self-adhesive fire protection sealing tape has to be applied on walls on both sides and on ceilings on the underside of the ceiling between the separating component and the insulation.

Approved for

- Spiral ducts from DN 100 to DN 250
- Stud partition walls and solid walls from 100 mm
- Solid ceilings from 150 mm
- Synthetic rubber from 9 mm to 19 mm insulation thickness
- Mineral wool from 20 mm to 30 mm insulation thickness

Fire protection module PREMO BML



Fire protection module PREMO BML for installation in plasterboard stud shaft walls and stud walls for insulates, nonflammable ventilation ducts (spiral ducts) in combination with AIR FIRE TECH fire dampers and fire damper air vents. Tested as per ÖNORM EN 1366-2, OIB Usage Guideline OIB-095.4-001/06-005, classified as per ÖNORM EN 13501-2 and approved as per ÖNORM EN 15650 (certificate of constancy of performance 1139-CPR-1046/12).

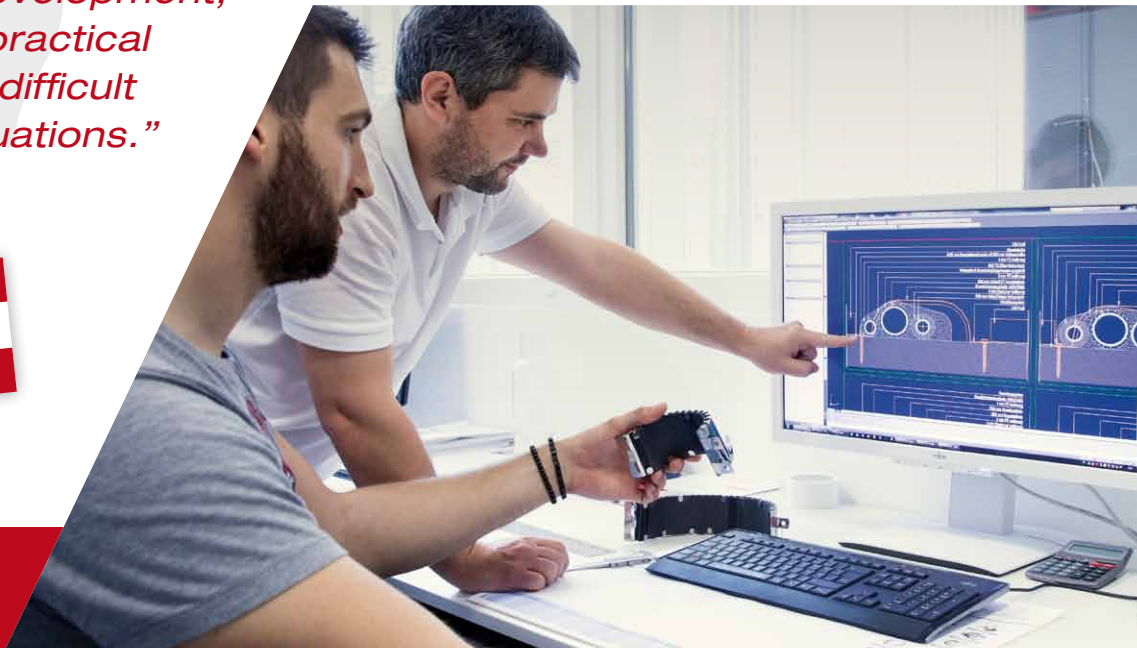
For sealing the radial gap that appears in case of fire between the nonflammable ventilation duct and the installation housing of the PREMO BML with insulation installed. The stepped installation housing is manufactured individually for plasterboard shaft walls with cladding on one side (2x20 mm, 2x25 mm, 3x15 mm) or stud walls with cladding on both sides (from 100 mm).

Approved for

- Spiral ducts from DN 100 to DN 250
- Stud partition walls with cladding on both sides from 100 mm thickness
- Shaft walls with cladding on one side from 40 mm thickness
- Synthetic rubber from 9 mm to 19 mm insulation thickness
- Mineral wool with aluminium laminate and 20 mm insulation thickness

*“In our product development,
we focus on practical
solutions for difficult
installation situations.”*

Made in Austria



Fire protection for ventilation ducts provides safety on all levels

Product description

Push-in fire damper INLAP EI120 (ve, ho, i↔o)S for installation or retrofitting in air ducts made from spiral ducts. Tested as per ÖNORM EN 1366-2, ÖNORM H 6025, classified as per ÖNORM EN 13501-2 and approved as per ÖNORM EN 15650 (certificate of constancy of performance 1139-CPR-1046/12). Round version, consisting of a white powder-coated housing with external intumescent material and two continuous silicone U-shape lip seals. The multi-layer stainless steel double blade is kept in the "open" position by the thermal trigger device (fuse link). Under the influence of temperature, the thermal trigger device is actuated and the double blade in the damper moves to the closed safety position by spring action. Under the influence of temperature, the mechanism integrated into the multi-layer blade allows expansion of the intumescent material to prevent exceeding of the temperature. The push-in fire damper is also approved for use in insulated air ducts with standard support structures (walls from 100 mm and ceilings from 150 mm) in combination with the BFBL fire protection sealing tape and the PREMO BML fire protection module for shaft walls with cladding on one side (from 40 mm).

The push-in fire damper is approved for installation in

- Solid walls and stud walls from 100 mm
- Solid ceilings from 150 mm
- Soft partitioning systems from 100 mm
- Plywood panel ceilings from 200 mm
- Mortar seals from 100 mm wall thickness and from 150 mm ceiling thickness
- Protolith installation blocks from 200 mm
- Shaft walls from 40 mm in combination with PREMO BML

INLAP EI120S



Inlap Article number	Size
2109100	DN 100
2109125	DN 125
2109160	DN 160
2109200	DN 200
2109250	DN 250



INLAP-ST EI120S

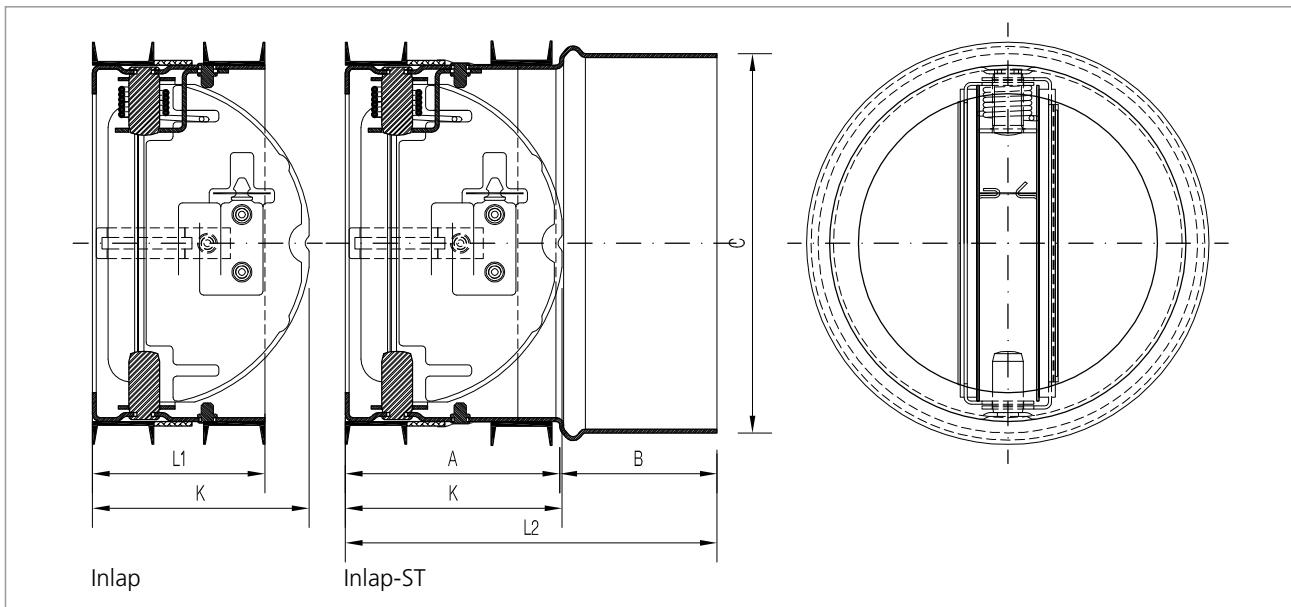


Inlap-ST Article number	Size
2109101	DN 100
2109126	DN 125
2109161	DN 160
2109201	DN 200
2109252	DN 250



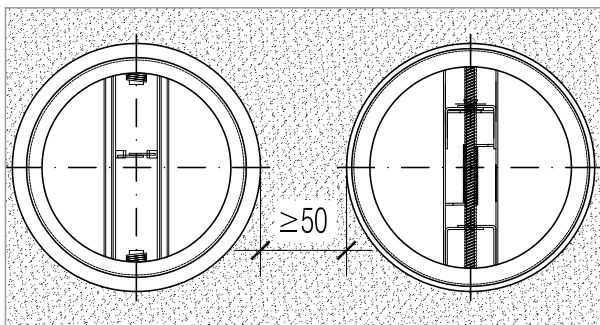
“We recommend installing the fire dampers in combination with cold smoke dampers.”

Design drawing

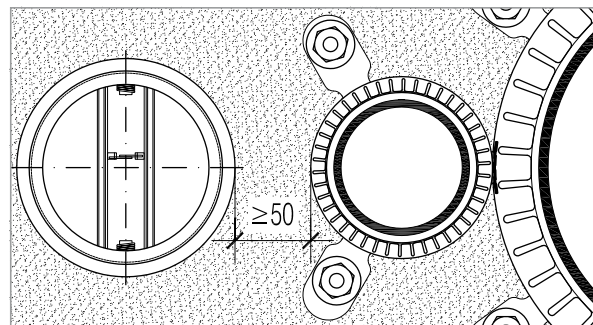


INLAP/INLAP-ST							
Type	L1 [mm]	Type	A [mm]	B [mm]	C Ø [mm]	L2 [mm]	K [mm]
Inlap/DN100	45	Inlap-ST/DN100	56	41	99	97	58
Inlap/DN125	45	Inlap-ST/DN125	56	41	124	97	72
Inlap/DN160	45	Inlap-ST/DN160	56	41	159	97	89
Inlap/DN200	50	Inlap-ST/DN200	61	41	199	102	106
Inlap/DN250	50	Inlap-ST/DN250	61	41	249	102	132

Distance rule for fire dampers

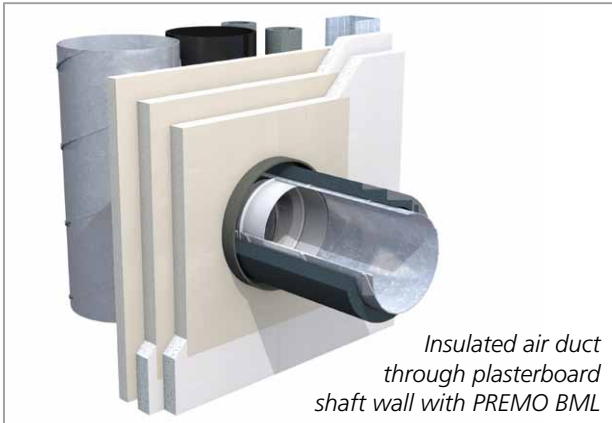


Distance between Air Fire Tech fire dampers (1139-CPR-1046/12) and Air Fire Tech fire damper air vents ≥ 50 mm.

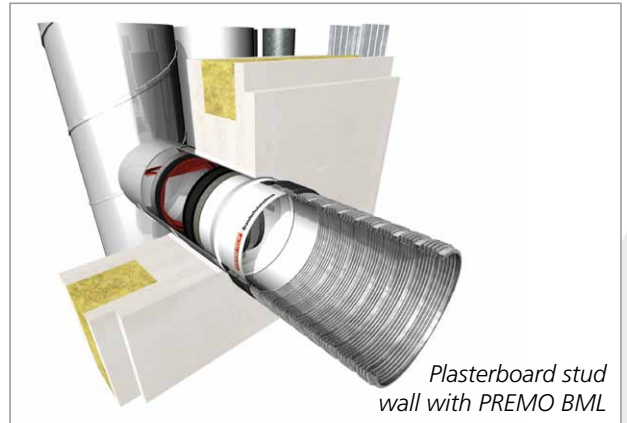


Distance between Air Fire Tech fire dampers (1139-CPR-1046/12) and neighbouring Air Fire Tech fire damper protection collars (ETA-13/0758) ≥ 50 mm.

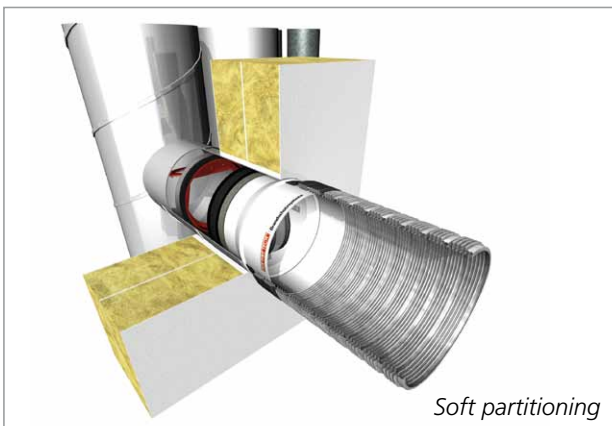
Application examples



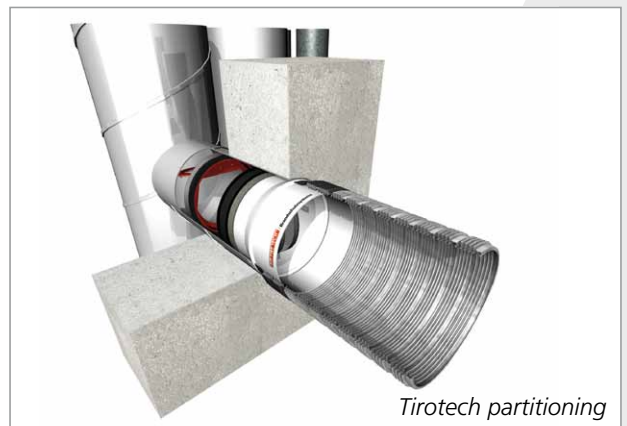
Insulated air duct through plasterboard shaft wall with PREMO BML



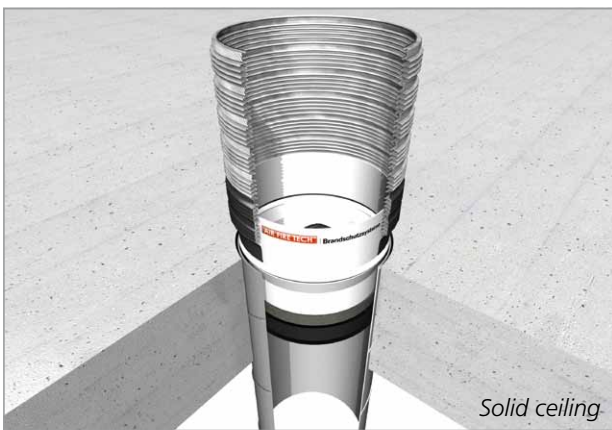
Plasterboard stud wall with PREMO BML



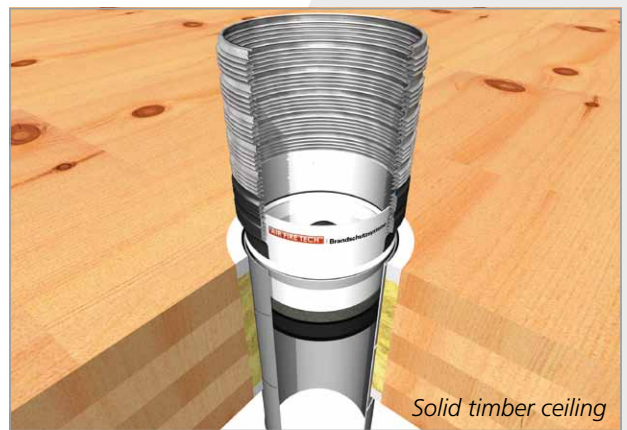
Soft partitioning



Tirotech partitioning



Solid ceiling



Solid timber ceiling



Protolith installation block



Insulated air duct with BFBL fire protection sealing tape



Fire protection systems

1130 Vienna
Austria
Stranzenberggasse 7b/2
T: +43 1 982 01 74-0
F: +43 1 982 01 74-930
E: office@airfiretech.at
I: www.airfiretech.at

Production plant:
Dr. Mayer-Gunthofstraße
2540 Bad Vöslau
Austria

*“Our employees provide
advice from planning
to installation
throughout Austria.”*